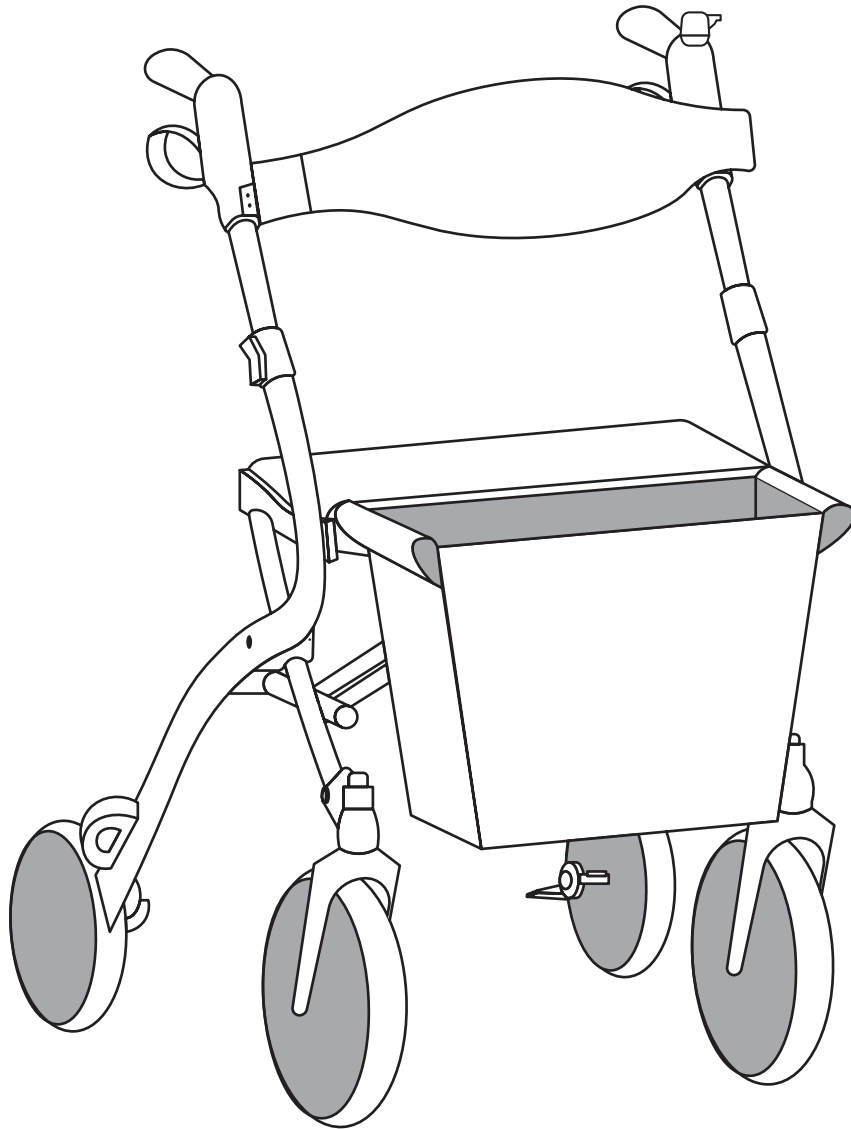




User Manual



PRISM

lightweight rollator

Product Code: WA01072

CareCo, Hubert Road, Brentwood, Essex, CM14 4JE

INDEX

1. Product Features	1
2. Parts List	2-4
3. Labelling	4
4. Warnings	5-7
5. Instructions for use	7-11
6. Warranty	11

1. INTRODUCTION

Thank you for purchasing the Tuni Prism outdoor rollator. This product is intended for use by people who need assistance with mobility in outdoor activities.

This product is adjustable from 93 to 101cm (Adjustable handle height) and should only be used between temperature range -20C to 50C

2. PRODUCT FEATURES

The Tuni Prism rollator is newly designed with below features:

Handle height is adjustable.

The backrest is detachable.

The rollator is foldable

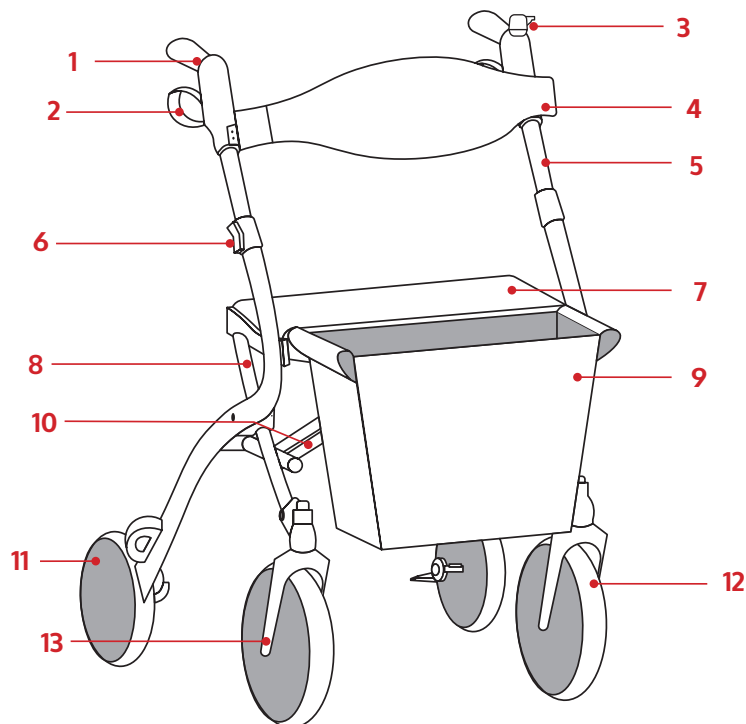
The front wheels roll freely and can be quickly released.

There is a curb climber attached to the end of rear wheel tubing in order for help moving over blocks or steps.

The brake system consists of both upward running brakes and downward parking brakes.

Rear wheels with curb climber can be quick released.

3. Parts List



(Figure 1)

- | | | |
|-------------|-----------------|----------------------|
| 1. Handgrip | 6. Snap button | 11. Rear wheel |
| 2. Brake | 7. Seat | 12. Front wheel |
| 3. Bell | 8. Frame | 13. Front wheel fork |
| 4. Backrest | 9. Shopping bag | |
| 5. Handle | 10. Cross brace | |

No.	Description	Quantity
1	Handgrip	2
2	Handle tubing	2
3	Backrest	1
4	Seat	1
5	Cane holder	1
6	Front wheel	2
7	Front wheel fork	2
8	Rear wheel	2
9	Cross brace	2
10	Main frame tubing	2
11	Button	2
12	Brake	2
13	Bell	1

Note: Each part is not more than 5kg.

4. LABELLING



Compliance with all requirement of EU directives



Logo of Genteel Homecare Products Co., Ltd



Read carefully the instructions before use



WARNING

Max. User Weight
136kg (300lbs)

Max capacity label: 136KG



CAUTION

Do not put your hand or fingers below the seat tube when you set the seat opened.

Warning label for seat

Bag Material: Polyester

Attention in using

1. Capacity: 5kg
2. Any dirt, use neutral detergent

Capacity for shopping bag

5. WARNINGS

DO NOT install or use this equipment without first reading and understanding this instruction manual. If you are unable to understand the Warnings, Cautions or Instructions, contact a healthcare professional, dealer or technical personnel before attempting to install this equipment - otherwise, injury or damage may occur.

Each individual should always consult with their physician or therapist to determine proper adjustment and usage.

Rollators are NOT intended to be self-propelled while seated.

A physical/occupational therapist should assist in the height adjustment of the rollator for maximum support and correct brake activation, the fixture of the screw, the position of the quick release/assembly kits.

Always ensure screws are fastened to the connector, so that the connector can't move when forced.

Ensure all snap buttons fully protrude through adjustment holes. Failure to follow these warnings can result in personal injury.

Care should be taken to ensure that ALL hand and height adjustments are secure, and that casters and moving parts are in good working order before using this or any mobility aid.

All wheels MUST be in contact with the floor at ALL TIMES during use. This will ensure the rollator is properly balanced. The brakes MUST be in the locked position BEFORE using the seat.

When using the rollator in a stationary position, the hand brakes MUST be locked.

Warning for stability

The maximum loading is 136KG (300lbs) including the weight in the accessory.

The capacity for the shopping bag is 6kg (11lbs)

Warning for folding / assembly

When the rollator is opened or set up, make sure the seat tubing is tight using with the levers at both sides of the seat, and make sure the bolts are tightly locked with no movement between the joints. Do not hang additional weight on either side of the rollator as this may cause injury due to unevenly distributed loads.

Safety warning

Handle the tubing with care, as violently shaking may cause malfunction of the brake cable inside the tubing. Always make sure the handle height on both sides is the same and the knob is tightened. Regularly check the product joints to make sure it is safe for use and locked in the right position.

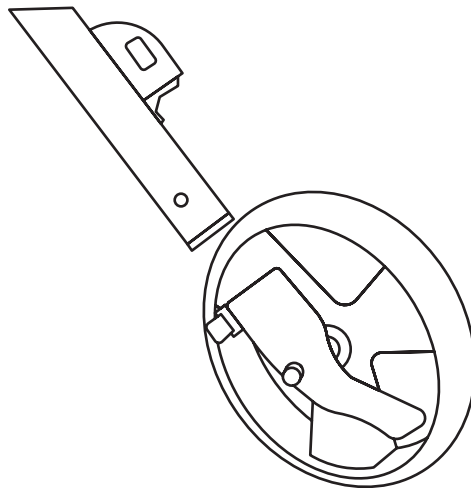
Height Adjustment

1. The handle height adjustment knob must always be locked during usage to avoid injury.
2. Before tightening the knob, always make sure the hole of the handle bar matches with the hole on the frame. Otherwise, it may cause damage to the knob or the handle bar.

6. INSTRUCTIONS FOR USE

Instructions

1. Open the box and take out the product out with care.
2. Place the product on a platform and assemble the rear wheel tubing into the frame, then tighten it by button as shown in below picture.



(Figure 2)

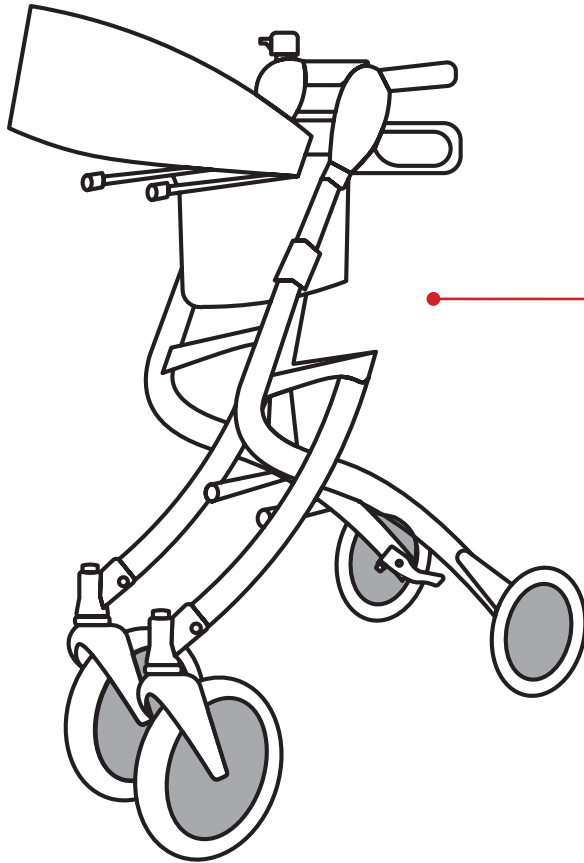
3. Insert the front wheel part into the housing until a click is heard which means in safe status as shown in picture below.



(Figure 3)

Note: before usage, apply some load on the handle bar of rollator to see if there is any movement. If no movement and the lever is fixed there tightly, then the rollator can be used.

4. Lift the seat upward, to fold the rollator as shown in picture below.



The rollator could be folded inwards side after the seat is lifted up.

(Figure 4)

Installation / Adjustment of the handle

Note: Pull out of handle bar with gentle and stable force to protect brake system and avoid accident. To adjust the height of the handle bar loosen the knob, and adjust the handle to the desired height. The user should be able to rest their hands comfortably on the handle bar - once this position is reached, tighten the knob to lock in place.

Assembly / adjustment of brake cable

Note: Do not pull the brake cable out of the handle tube when installing or adjusting the handle height to avoid accident or damage to the brake system.

1. The position of brake cable

Note: The brake cable should moves through inside the handle tubing whilst in use.

2. Choose to release brake or tighten brake following below instruction:

- A. Release the adjustment knob: turn it in counter-clockwise direction.
- B. Lock the adjustment knob: turn it clockwise side.

Use/Lock/Activate the brake

NOTE: Refer to Assembly warnings in the Safety warning in this instruction sheet.

Use of hand brake:

Pull the the brake up towards the hand grips.

- A. REMAIN STATIONARY—hold the brake handle UP
- B. CONTINUE MOBILITY – release the brake handle

Lock of the brake

Push DOWN on the bottom portion of the brake handle as shown until an audible “click” is heard as shown in Figure B.

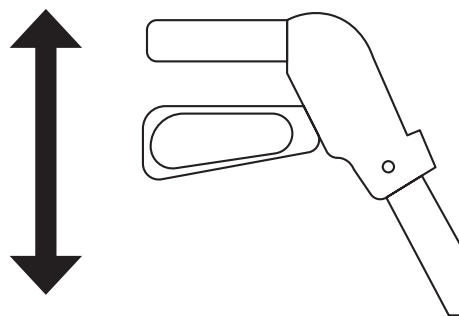


Figure A (To be adjusted)

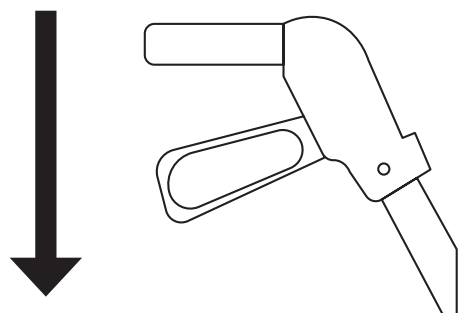


Figure B (Locking position)

Activate the brake

1. Pull UP the brake handles to release as shown in Figure A
2. Release the brake

Care and maintenance

1. Ensure that all fixing hardware is secure at ALL times.
2. Check screw securing seat to side slot for tightness. If not, tighten them.
3. Replace any broken, damaged or worn items immediately.

Maintenance of Wheels

1. Clean wheels with warm water and mild cleanser. Dry with clean rag.
2. Lubricate with 3-in-1 oil periodically or if wheels begin to squeak.

Instruction for washing

Clean the rollator and its wheels with warm water and mild cleanse. DO NOT use any chemicals with causticity. Otherwise, it may damage the surface of the rollator.

7. WARRANTY

Quality / Warranty Declaration

Products are to be fit for purpose and of excellent quality and performance. For valid warranty claims CareCo (UK) Ltd will, at their discretion, replace / repair / refund items mutually agreed to be defective.

The scooter's warranty is as follows:-

- » Frame: Two year limited warranty
- » Controllers: One and a half year limited warranty
- » Electronic Components and Charger: One year limited warranty
- » Warranty Exclusion: The following items are not covered by warranty:-

Motor Brushes / Wheel Tyres / Arm Pads

Seat Cushion / Fuses and Bulbs / Tiller Cover

Rear Shroud / Front Shroud Batteries and Consumable Parts

Any damage or defect of any nature occurring from the misuse, abuse of the product, improper operation or improper storage is not to be covered. The warranty is to start from the date of arrival of our products.